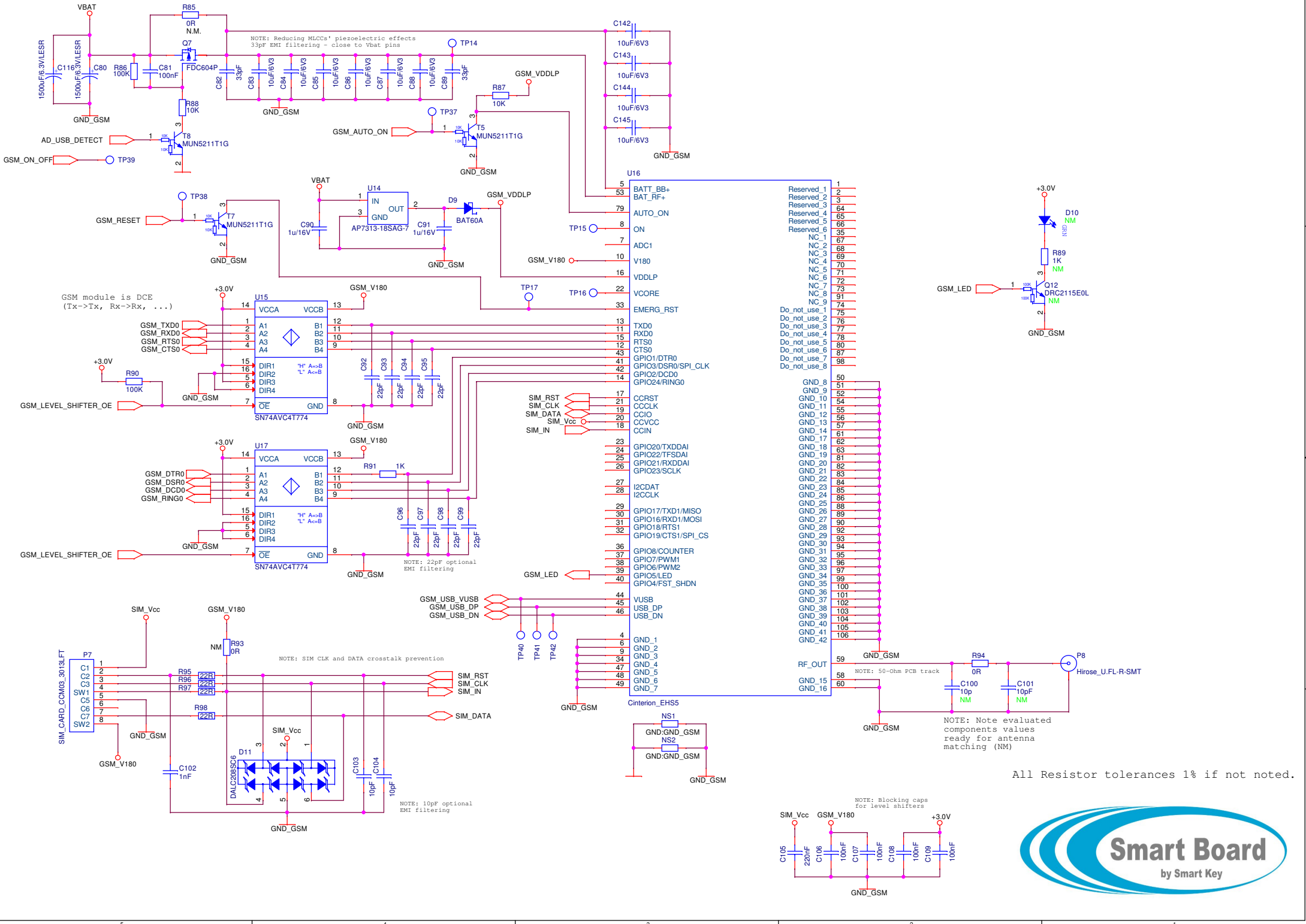


All Resistor tolerances 1% if not noted.





NOTE: Reducing MLCCs' piezoelectric effects
33pF EMI filtering - close to Vbat pins

GSM module is DCE
(Tx->Tx, Rx->Rx, ...)

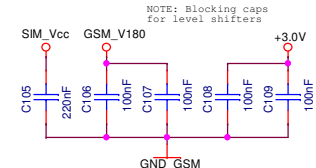
NOTE: 22pF optional
EMI filtering

NOTE: SIM CLK and DATA crosstalk prevention

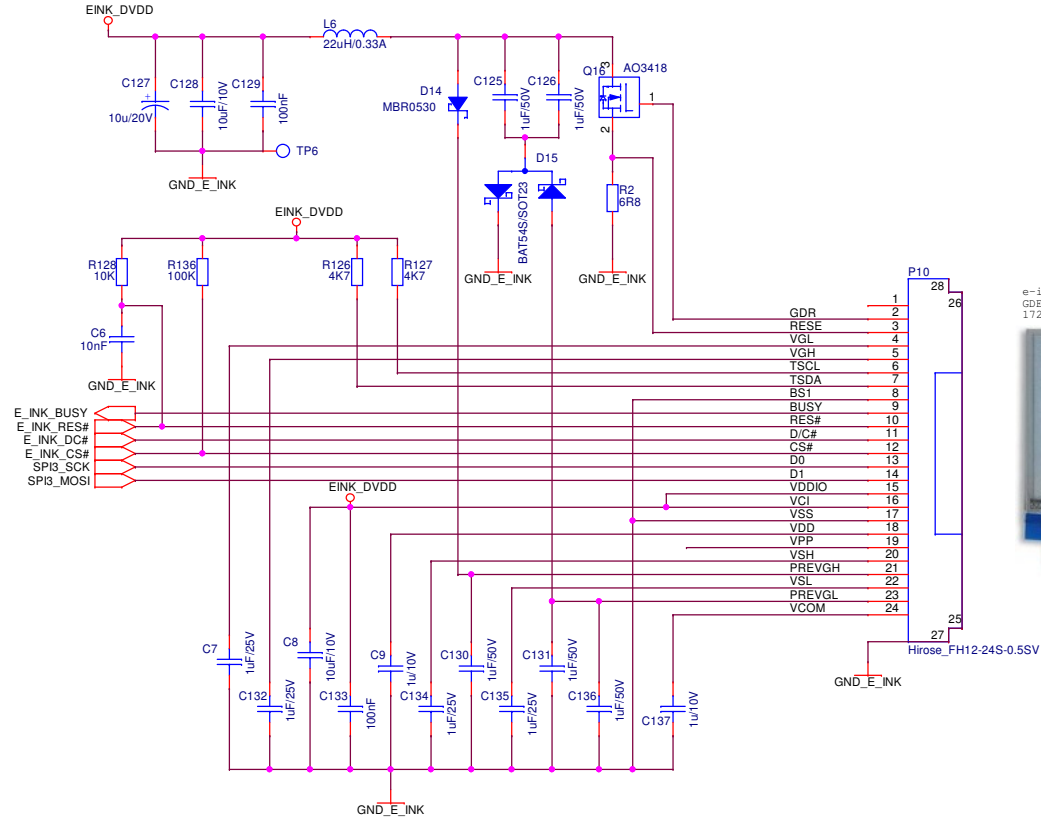
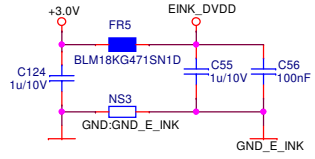
NOTE: 10pF optional
EMI filtering

NOTE: Note evaluated
components values
ready for antenna
matching (NM)

All Resistor tolerances 1% if not noted.

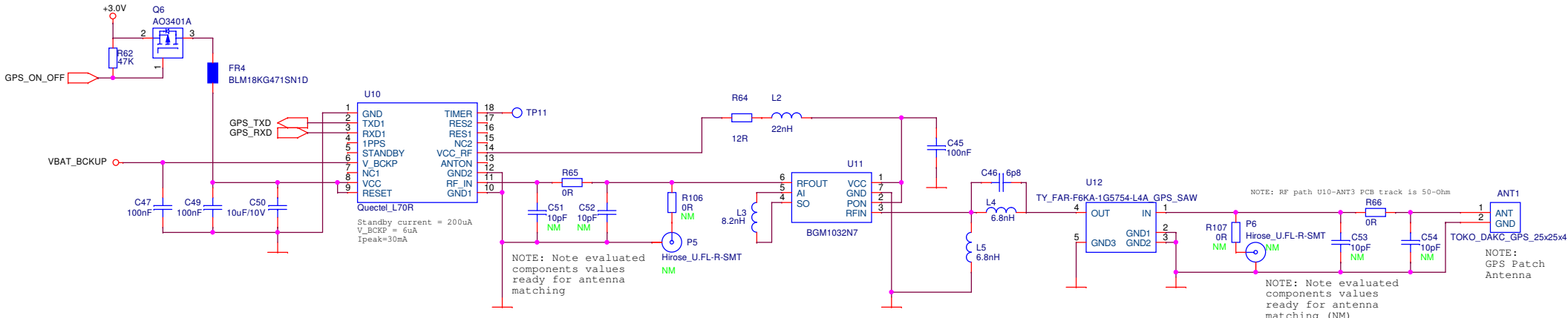
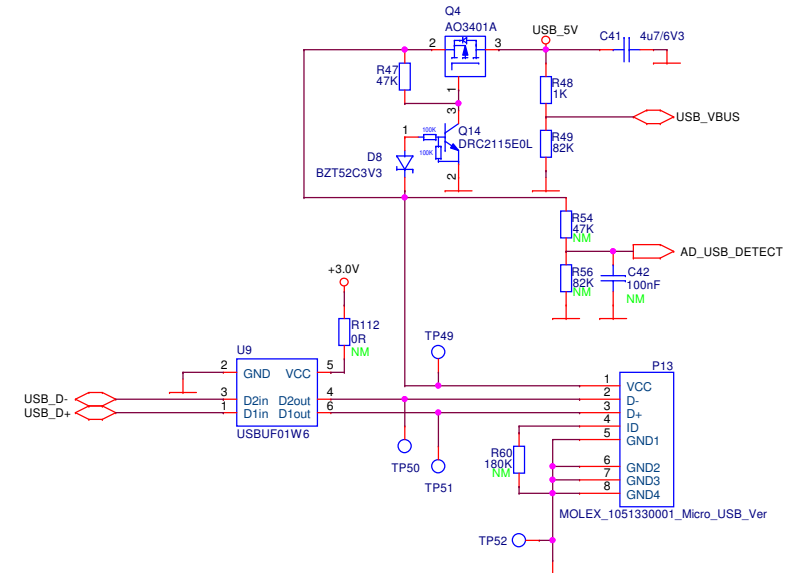
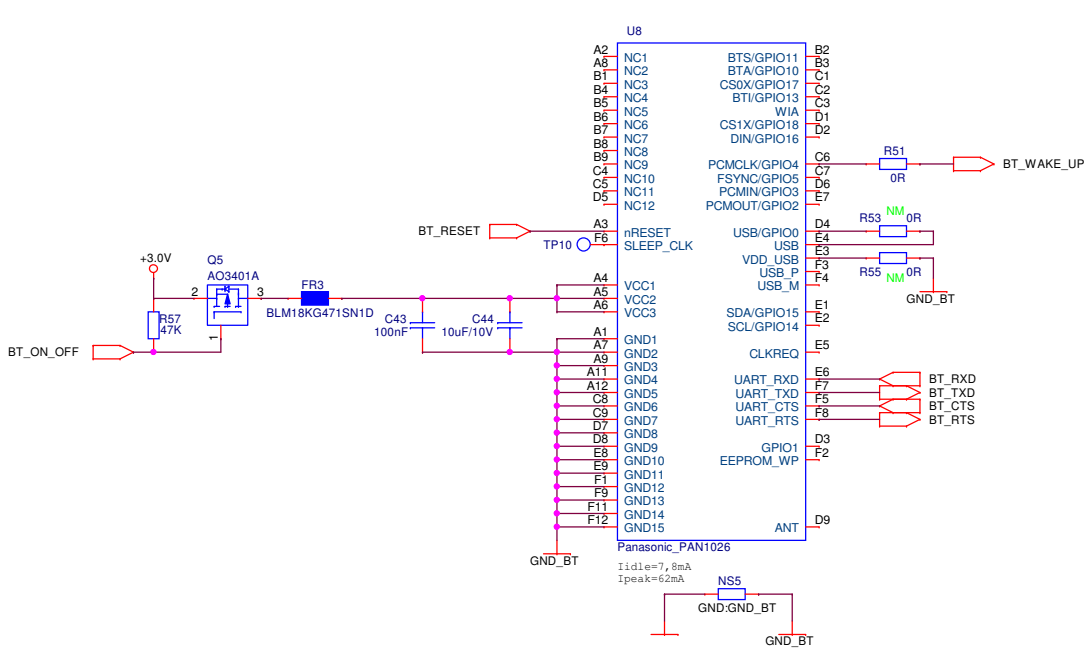


E-INK Digital Power Supply Filtering



All Resistor tolerances 1% if not noted.

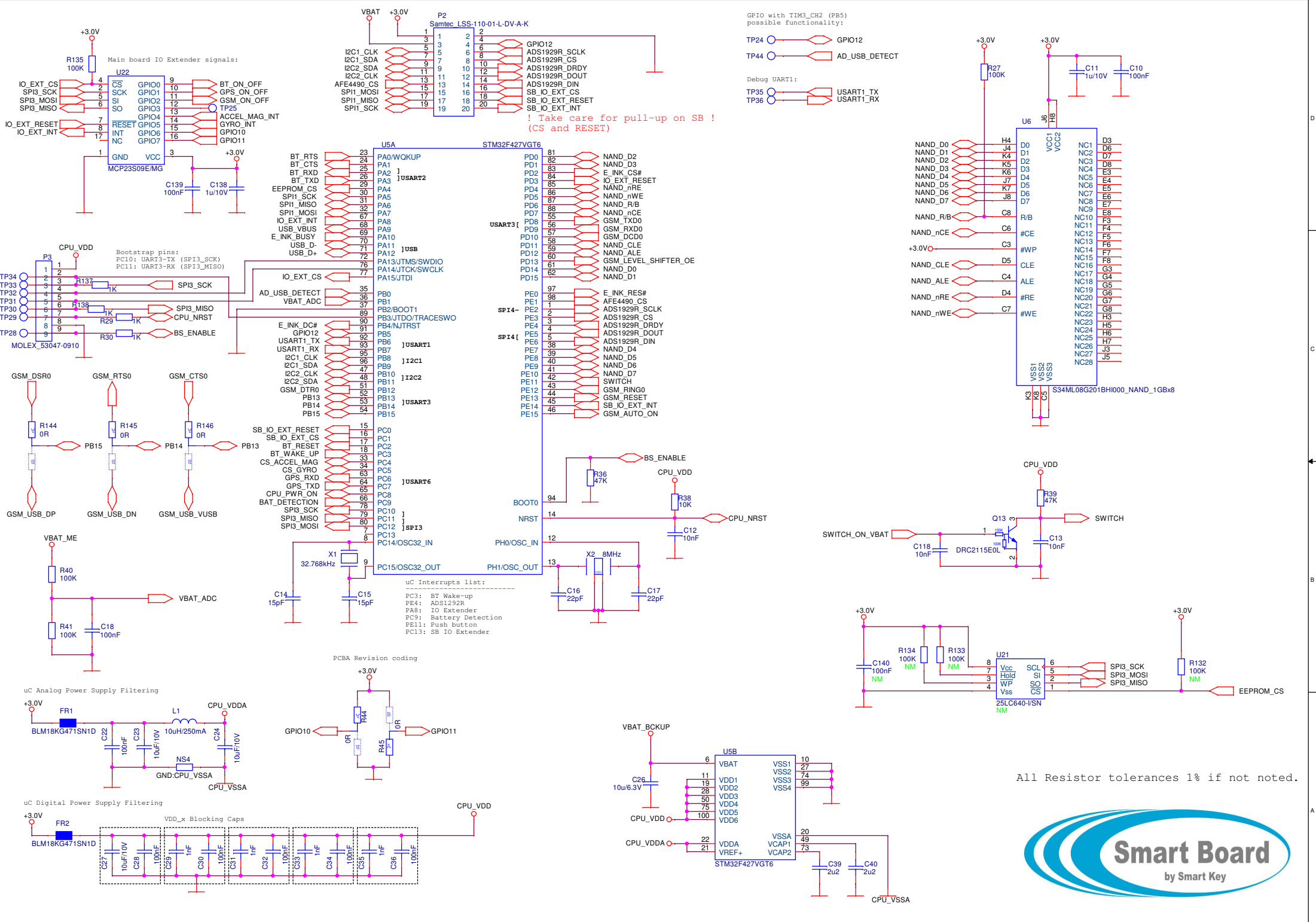




NOTE: UFL connectors P7 and P8 added to test GPS reception without U16 and U17 (NM=Not Mounted)

All Resistor tolerances 1% if not noted.





GPIO with TIM3_CH2 (PB5)
possible functionality:

TP24 \rightarrow GPIO12
TP44 \rightarrow AD_USB_DETECT

Debug UART1:

TP35 \rightarrow USART1_TX
TP36 \rightarrow USART1_RX

! Take care for pull-up on SB!
(CS and RESET)

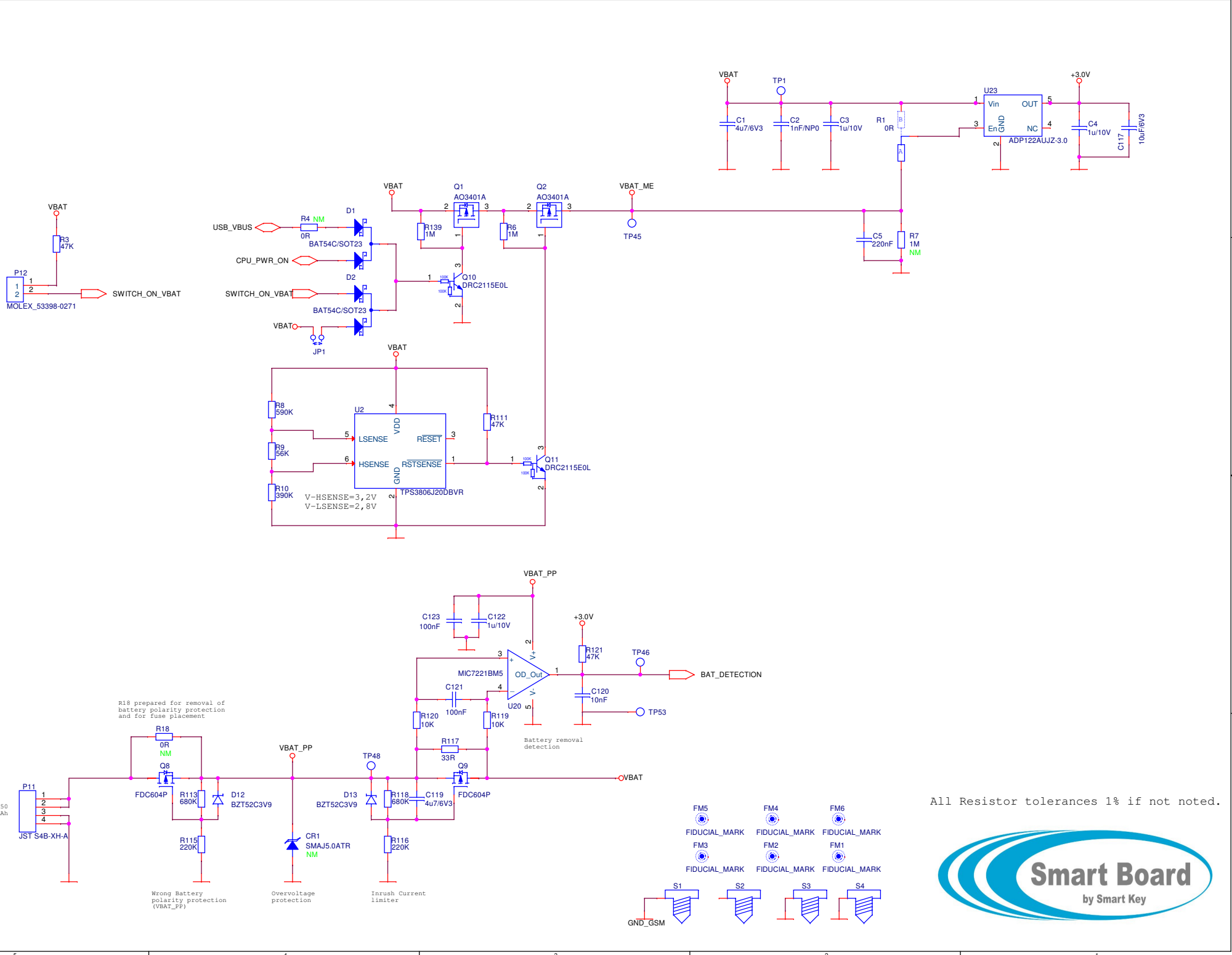
uC Interrupts list:

PC3: BT Wake-up
PE4: ADS1292R
PA8: IO Extender
PC9: Battery Detection
PE11: Push button
PC13: SB IO Extender

PCBA Revision coding

All Resistor tolerances 1% if not noted.





All Resistor tolerances 1% if not noted.

