

NOTICE: Wheatstone bridge resistors needs to be defined or full bridge strain gauge load cell selected.

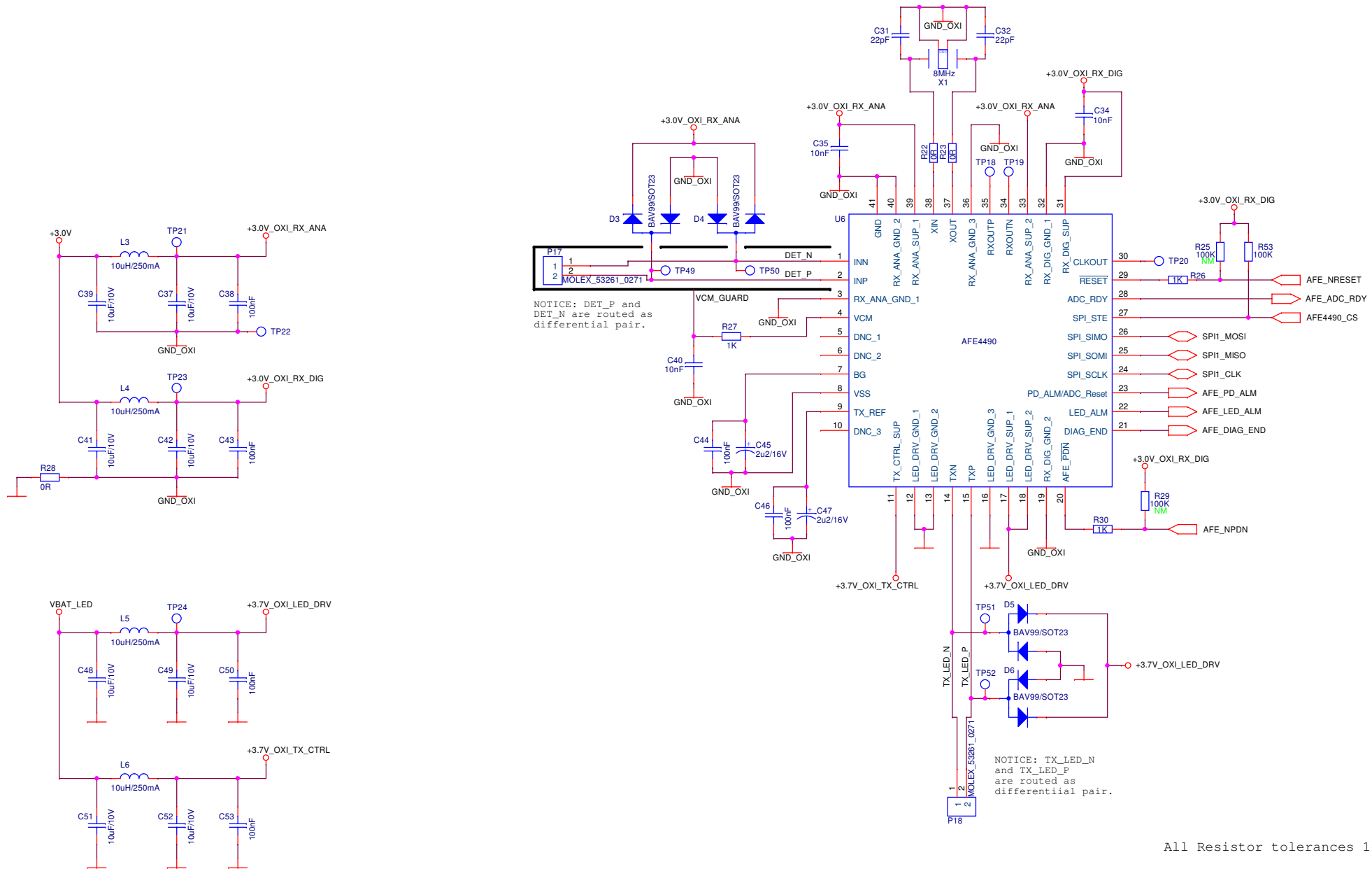
NOTICE: Not standard I2C communication.

Speed selection
 0 | 1

 10SPS | 80SPS

All Resistor tolerances 1% if not noted.

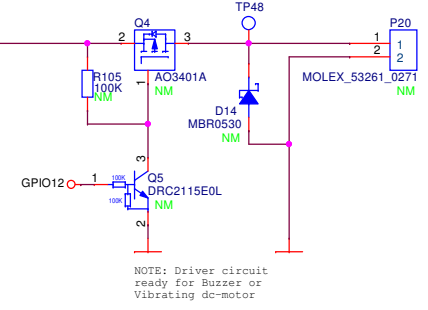
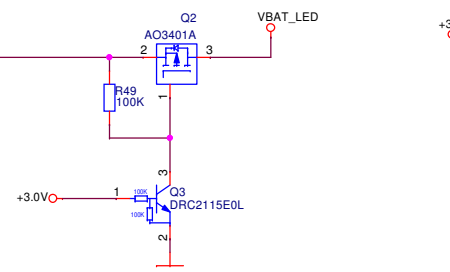
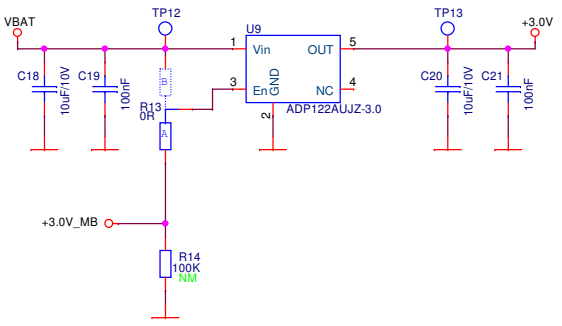
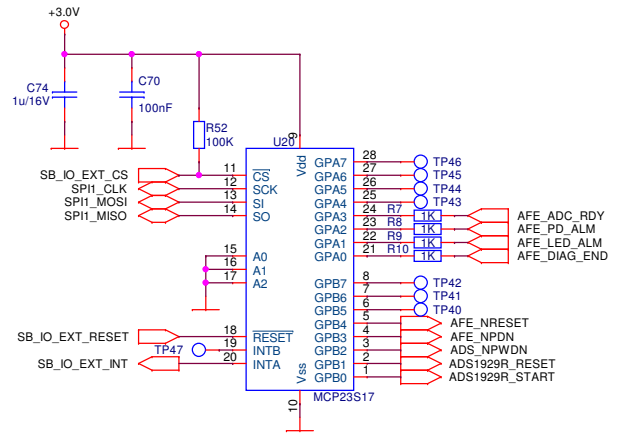
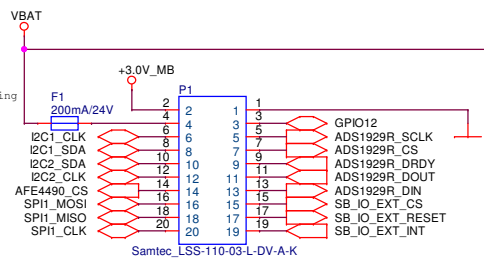




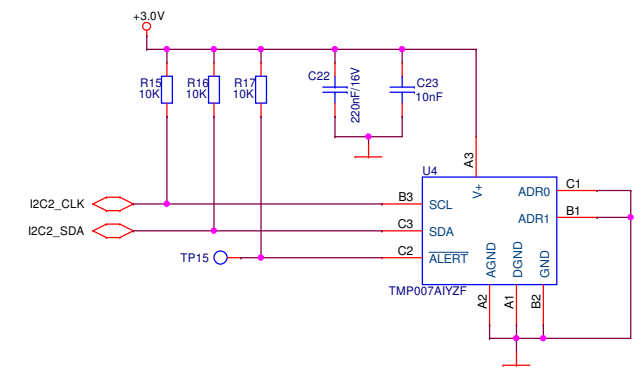
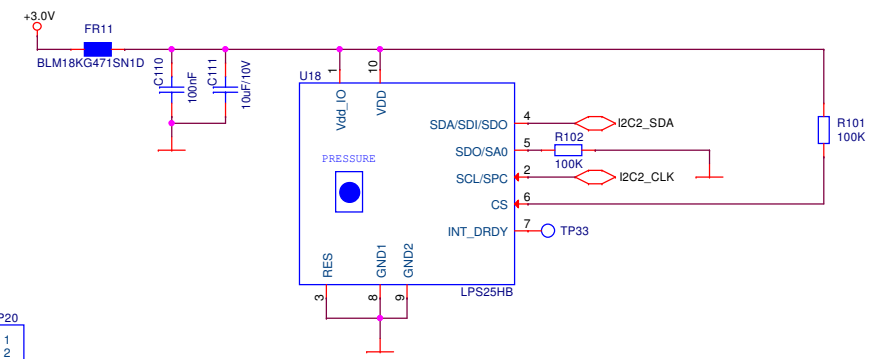
All Resistor tolerances 1% if not noted.



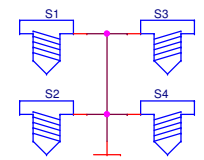
NOTICE: Fuse rating needs to be re-defined !



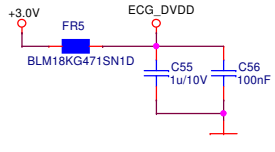
NOTE: Driver circuit ready for Buzzer or Vibrating dc-motor



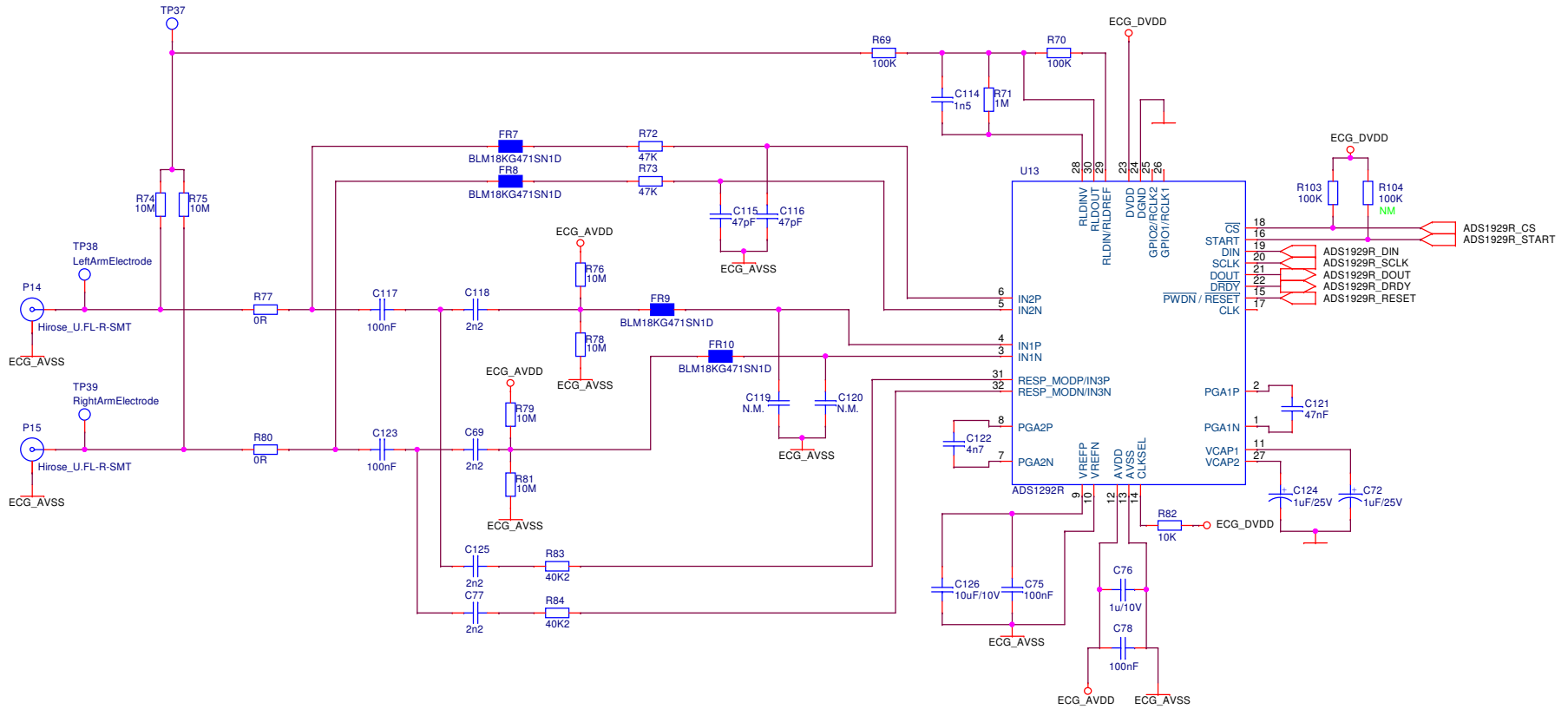
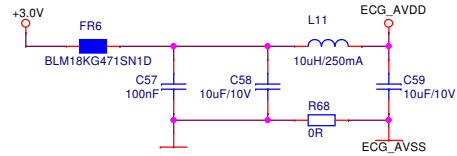
All Resistor tolerances 1% if not noted.



ADS1292R Digital Power Supply Filtering



ADS1292R Analog Power Supply Filtering



All Resistor tolerances 1% if not noted.

